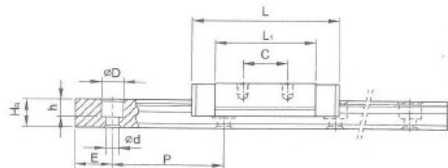
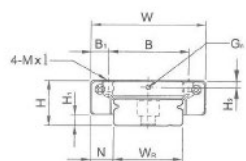


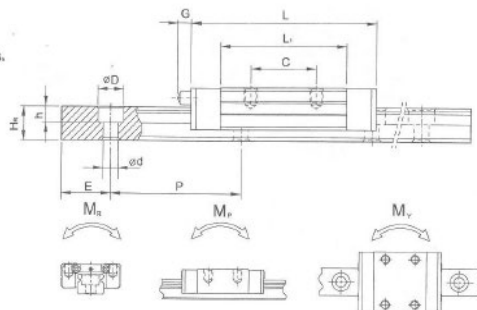
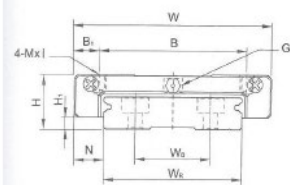
MCW 小型宽的
MCW-C / MCW-H



MCW7, MCW9, MCW12



MCW15



轴承型号 Bearing NO.	主要尺寸 (mm) Dimentions				滑块尺寸 (mm) Block Dimentions							导轨尺寸 (mm) Rail Dimentions							重量 Weight				
	H	H1	N	W	B	B1	C	L1	L	G	Gn	M*1	H2	WR	WB	HR	D	h	d	P	E	kg	kg/m
MCW 7C	9.0	1.9	5.5	25.0	19.0	3.0	10.0	21.0	31.2	-	Φ1.2	M3*3	1.85	14.0	-	5.2	6.0	3.2	3.5	30.0	10.0	0.020	0.51
MCW 7H							19.0	30.8	41.0													0.029	
MCW 9C	12.0	2.9	6.0	30.0	21.0	4.5	12.0	27.5	39.3	-	Φ1.2	M3*3	2.4	18.0	-	7.0	6.0	4.5	3.5	30.0	10.0	0.040	0.91
MCW 9H					23.0	3.5	24.0	38.5	50.7													0.057	
MCW 12C	14.0	3.4	8.0	40.0			15.0	31.3	46.1	-	Φ1.2	M3*3.6	2.8	24.0	-	8.5	8.0	4.5	4.5	40.0	15.0	0.071	1.49
MCW 12H					28.0	6.0	28.0	45.6	60.4													0.103	
MCW 15C	16.0	3.4	9.0	60.0	45.0	7.5	20.0	38.0	54.8	5.2	M3	M4*4.2	3.2	42.0	23.0	9.5	8.0	4.5	4.5	40.0	15.0	0.143	2.86
MCW 15H							35.0	57.0	73.8													0.215	

注: 1kgf=9.81N